

**SECTION 11**  
**Winch Index**

**BOAT**  
Trailer Winch .....11-10

**CAPSTAN**  
Winches.....11-4, 11-9-10

**I-BEAM**  
Winches.....11-5

**OTHER WINCHES** .....11-6-8

**TRAILER**  
Winches.....11-10

**WINCHES**  
Air .....11-3, 11-11-13  
Boat Haulings .....11-10  
Capstan .....11-4, 11-9-10  
Electric.....11-3-13  
Gripwinch .....11-12  
Hand .....11-1-2  
I-Beam.....11-5  
Long Distance .....11-12-13  
Material Lifting .....11-12-13  
Worm Gear.....11-1, 11-6-8

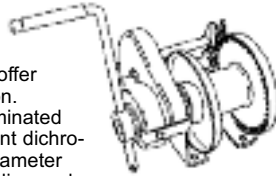
**WORM GEAR**  
Winches.....11-1, 11-6-8



## Hand Winches

### Spur Gear Hand Winches Marine Grade - up to 1 ton

For both lifting and pulling, these winches offer quick load movement and ease of operation. Machine cut gears outlast conventional laminated gears for years of reliable service. Iridescent dichromate plating resists corrosion, and large diameter drums extend cable life by minimizing bending and wear. We recommend disc brakes for all lifting applications (with Disk Break)



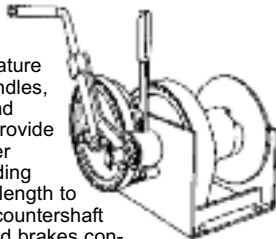
Model M4311

Model	Gear Ratio	Load Rating 2nd Layer	Load Rating Full Drum	Cable Diameter	Full Drum Capacity	Force to Lift 1000 lbs	Approx. Ship Wt.
M401	1.00:1	500 lbs	200 lbs	3/16 in	55 ft	-	8 lbs
M4021	2.85:1	1,000 lbs	300 lbs	3/16 in	55 ft	55 lbs	11 lbs
M4031	2.85:1	1,000 lbs	300 lbs	3/16 in	110ft	55 lbs	13 lbs
M4311	14.70:1	2,000 lbs	850 lbs	1/4 in	70 ft	22 lbs	23 lbs
M4411	14.70:1	2,000 lbs	850 lbs	1/4 in	140 ft	22 lbs	25 lbs

Drum capacities may be 25-30% less, due to non-uniform winding. Tension in the cable will also affect drum capacity.

### Spur Gear Hand Winches Marine Grade - up to 5 ton

Ideal for heavy-duty use, these winches feature iridescent dichromate plated gears and handles, with an alkyd enamel finish on the drum and frame. The solid steel machine cut gears provide years of reliable service, and large diameter drums extend cable life by minimizing bending and wear. The handles can be adjusted in length to change operating speed, or moved to the countershaft for quick rewinding of unloaded cable. Hand brakes control, but do not hold the load. We recommend disc brakes for all lifting applications.



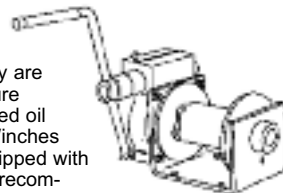
Model M492

Model	Gear Ratio	Load Rating 2nd Layer	Load Rating Full Drum	Cable Diameter	Full Drum Capacity	Force to Lift 1000 lbs	Approx. Ship Wt.
M452	19.54:1	4000 lbs	2000 lbs	3/8 in	140 ft	4.5 lbs	81 lbs
M492	25.00:1	10000 lbs	4000 lbs	1/2 in	220 ft	5.4 lbs	158 lbs

Drum capacities may be 25-30% less, due to non-uniform winding. Tension in the cable will also affect drum capacity.

### Worm Gear Hand Winches

Good for jobs where accuracy and reliability are important, Worm Gear Hand Winches feature machine cut gears which operate in enclosed oil baths for smooth operation and long life. Winches can be converted for wall mounting, or equipped with handle locks which help hold the load. We recommend disc brakes for all lifting applications.



Model 472

Model	Gear Ratio	Load Rating 2nd Layer	Load Rating Full Drum	Cable Diameter	Full Drum Capacity	Force to Lift 1000 lbs	Approx. Ship Wt.
465	20:1	750 lbs	300 lbs	3/16 in	55 ft	-	12 lbs
462	15:1	1,000 lbs	400 lbs	3/16 in	55 ft	34 lbs	15 lbs
472	24:1	2,000 lbs	1,000 lbs	1/4 in	75 ft	24 lbs	32 lbs
482	26:1	4,000 lbs	2,000 lbs	3/8 in	140 ft	31 lbs	100 lbs

Drum capacities may be 25-30% less, due to non-uniform winding. Tension in the cable will also affect drum capacity.

Model 465 gears are open (not enclosed in oil bath)

### Disc Brakes

They recommend Disc Brakes for all Hand Winches used to lift loads or drag loads up an incline. The Weston type Disc Brake operates automatically, when you turn the brake handle the brake releases, and when you stop turning the handle the brake tightens to hold the load in place. Disc Brakes replace standard winch handles and are field or factory installed depending on the model, see the table below.



Disk Break

Installation	M4021	M4031	M4311 M4321	M4411 M4421	M452	M492	462	472	482
Field*	-	-	MB441	MB441	MB451	MB491	-	-	-
Factory**	M4021B	M4031B	-	-	-	-	462B	472B	482B

\* Field installed models: order the winch and brake separately, using the model numbers shown.

\*\* Factory installed models: add the letter "B" to the winch model number when ordering.

### CW Series - Compact Heavy Duty Winches

**Lightweight but Tough** - All cast aluminum construction that makes it lightweight, but rugged for heavy-duty applications.

**Compact** - Our model CW 150 measures a compact five inches square (130 mm) without its handle.

**Removable Hand Cranks** - Cranks are removable under load to prevent tampering with the winch when the operator is not present.

**Enclosed Gears** - Our fully enclosed gears provide maximum safety.

**Three Sizes** - Three models are available with linepull capacity ranging from 150 lbs (68 kg) to 550 lbs (250 kg).



Model No.	WLL		Rope Dia.		Rope Storage Capacity		Lift Per Crank Rotation		Hand Force Required	
	lb	kg	in	mm	ft	m	in	mm	lb	kg
CW 150	150	68	1/8	3	65	20	5	127	22	10
CW 275	275	125	1/8	3	65	20	5	127	27	12
CW 550	550	250	3/16	4.7	50	15	2.25	57	35	16

### GW Series (Wall Mount)

Seven rugged sizes available. High-end sizes equipped with 2-speed gearing for ease in handling heavy loads. Hand cranks are removable under load to prevent tampering. Other models include:

**GWC** - Chain operated for use in hard to reach locations

**GWG** - with grooved drum.

Model No.	WLL (lb)	Rope Dia. (in)	Rope Storage Cap. (ft)
GW 550	550	3/16	222
GW 1100	1100	1/4	222
GW 2200	2200	3/8	190
GW 3300	3300	7/16	165



### GWC Series (Chain Operated)

Seven rugged sizes available. Chain allows the winch to be mounted in a location not easily accessible by the operator. High end sizes equipped with 2-speed gearing for ease in handling heavy loads. Effective use of roller bearings and bushings minimizes friction, for ease of operation and longer life.

Model No.	WLL (lb)	Rope Dia. (in)	Rope Storage Cap. (ft)
GWC 550	550	3/16	222
GWC 1100	1100	1/4	222
GWC 2200	2200	3/8	198
GWC 3300	3300	7/16	165



### WMA Series (Aluminum Wall Mount)

Compact all cast aluminum construction that makes it lightweight, but rugged for heavy-duty applications. Cranks are removable under load to prevent tampering. Fully enclosed gears for safety.

Model No.	WLL (lb)	Rope Dia. (in)	Rope Storage Cap. (ft)
WMA 175	175	1/8	98
WMA 275	275	3/16	39



### GS Series (Wall Mount Spur Gear)

Leading edge design reduces cranking effort. Space-saver profile and fold-back crank allows ease of installation in tight spaces. Effective use of needle and roller bearings and bushings minimizes friction ensuring ease of operation, increased life and minimum cranking effort.

Model No.	WLL (lb)	Rope Dia. (in)	Rope Storage Cap. (ft)
GS 275	275	1/8	171
GS 660	660	3/16	81
GS 1100	1100	1/4	46
GS 2200	2200	3/8	93



- Please Call for Complete Dimensional Information -

**Winches**

**Hand Winches**

**CMG Series**

(Galvanized Console Mount)

(Also available in CMS Series - Stainless Steel)

Galvanized for corrosion resistance, making it ideal for outdoor use. Lightweight for easy handling and installation. Leading-edge design reduces cranking effort.



Model No.	WLL (lb)	Rope Dia. (in)	Rope Storage Cap. (ft)
CMG 330	330	3/16	45
CMG 1450	1450	1/4	66
CMG 2000	2000	5/16	46
CMG 3000	3000	5/16	85

**GWF Series (Centre Flange)**

Seven rugged sizes available. Two ropes can be operated simultaneously. Drums have a center flange and rope anchors at either end. High-end sizes equipped with 2-speed gearing for ease in handling heavy loads. Effective use of needle roller bearings and bushings minimizes friction.



Model No.	WLL (lb)	Rope Dia. (in)	Rope Storage Cap. (ft)
GWF 550	275	1/8	35
GWF 1100	550	3/16	40
GWF 2200	1100	1/4	60
GWF 3300	1650	5/16	60

**CMC Series (Aluminum Free Spooling)**

Lightweight permits easy handling and installation. Ideal for getting rope quickly under no-load conditions. A sealed oil bath ensures constant protection and quiet operation.



Model No.	WLL (lb)	Rope Dia. (in)	Rope Storage Cap. (ft)
CMC 1600	1600	1/4	33
CMC 2400	2400	5/16	33

**CFF Series (Controlled Free Fall)**

Push the handle back in the reverse direction and the winch will pay out a controlled speed. Payout is variable up to a predetermined maximum. All gears are fully enclosed for increased operational protection.



Model No.	WLL (lb)	Rope Dia. (in)	Rope Storage Cap. (ft)
CFF 660	660	3/16	85
CFF 1100	1100	1/4	67
CFF 2200	2200	3/8	50
CFF 3300	3300	7/16	45

**CMA Series**

(Seaworthy Aluminum)

Corrosion resistant aluminum, ideal for deck machinery and dockside applications. High-end sizes are equipped with 2-speed gearing for ease in handling heavy loads. Cranks from either end. Mounts in any position.



Model No.	WLL (lb)	Rope Dia. (in)	Rope Storage Cap. (ft)
CMA 440	440	3/16	40
CMA 1100	1100	1/4	50
CMA 1760	1760	5/16	78

**WG Series - Heavy Duty Hand Winches**

Choose from Six Rugged Models - WG series winches have been designed for heavy-duty use. Models provide linepull from 550 lbs (250 kg) to 11,000 lbs (5,000 kg).



**Two Speeds** - High-end models - WG 4400 to WG 11000 - are equipped with two-speed gearing for ease in handling heavy loads.

**Removable Hand Cranks** - Hand cranks can be removed under load conditions to prevent tampering when the operator is not present.

Model No.	WLL		Rope Dia.		Rope Storage Capacity		Lift Per Crank Rotation				Hand Force Required	
	lb	kg	in	mm	ft	m	Low Gear		High Gear		lb	kg
WG 550	550	250	3/16	4	65	20	-	-	1.43	36	37	17
WG 1100	1,100	500	1/4	6	75	23	-	-	1.38	35	44	20
WG 2200	2,200	1,000	3/8	8	90	27	-	-	1.42	36	55	25
WG 4400	4,400	2,000	1/2	11	105	32	.28	7.1	1.14	29	33	15
WG 7000	7,000	3,200	5/8	14	105	32	.32	8	1.26	32	55	25
WG 11000	11,000	5,000	3/4	18	105	32	.22	5.5	.87	22	55	25

**WSG Series - Heavy Duty Hand Winches**

**Fully Enclosed Gears; Permanently Lubricated** - The WSG's enclosed worm shaft and worm wheel are immersed in an oil bath, providing constant lubrication and protection from corrosion. Maintenance is reduced while life expectancy is increased.



**High Rope to Drum Ratio** - Rope life is substantially increased with drum diameters a minimum of 20 times the diameter of the rope. With wire rope under reduced bending stress, premature rope breakage is minimized.

**Tough, All-Cast Construction** - Choose from three models designed for heavy-duty use. Models range from 550 lbs (250 kg) linepull to 1650 lbs (750 kg) linepull.

**Removable Hand Cranks** - Hand cranks can be removed under load conditions to prevent tampering when the operator is not present.

Model No.	WLL		Rope Dia.		Rope Storage Capacity		Lift Per Crank Rotation				Hand Force Required	
	lb	kg	in	mm	ft	m	in		mm		lb	kg
WSG 550	550	250	3/16	5	60	18	.79	20	20	9.2	20	9.2
WSG 1100	1100	500	1/4	6	95	29	1.0	26	32	14.5	32	14.5
WSG 1650	1650	750	5/16	8	157	48	.79	20	35	16	35	16

## Power Winches

### Model 100A/Standard Series - Standard Electric Winch Hoist 1,000 lb. Single-Line or 2,000 lb. Double-Line Lift

#### APPLICATIONS:

- For pulling jobs with loads up to 8,000 lbs
- Multiple-story construction site work
- Long-lift applications
- Tower erection and maintenance
- Easily portable from job to job

#### FEATURES:

- Worm gear reduction for positive load holding
- Dynamic braking for instant stopping
- Rugged construction
- 115 Volt AC power
- Low voltage 10 ft. pendant control
- High-capacity cable drum
- Frictionless bearings
- Full power reversible

#### SPECIFICATIONS:

##### Construction Features:

- Heavy-duty angle base drilled for six (6) 1/2" bolts (9/16" mounting holes) with no welding required
- Fully sealed aluminum housings, with precision-cut gears, run in an oil bath
- Stress-proof drum shaft
- Frictionless bearings

##### Gear System:

- 286:1 total reduction
- Hardened steel worm and forged bronze worm gear holds load in position when stopped

##### Power:

- Universal 18,000 RPM reversible 1.4 HP motor (no-load speed)
- 15 ft power cord plugs into any 115 Volt, AC, grounded outlet

- 6 amp - No load
- 19 amp - Full load

#### Speeds:

- 59 RPM: No-load drum speed
- 30 FPM: No-load drum speed
- 25 FPM: 500 lbs - single-line lift
- 20 FPM: 1,000 lbs - single-line lift
- 10 FPM: 2,000 lbs - double-line lift

Note: All speeds are based on one layer of cable on drum.

#### Duty Cycle:

- 25% - 15 min/hr when operating at full load

#### Drum Storage:

- |                       |                       |
|-----------------------|-----------------------|
| <i>Model No. 100A</i> | <i>Model No. 150A</i> |
| • 1/8" - 1,000 ft     | • 1/8" - 285 ft       |
| • 3/16" - 450 ft      | • 3/16" - 125 ft      |
| • 1/4" - 250 ft       | • 1/4" - 70 ft        |
| • 5/16" - 150 ft      | • 5/16" - 45 ft       |

For best results, use the minimum amount of cable required for application plus four safety turns around the drum. Cable sold separately. Length and size must be specified at time of order.

#### Lifting Capacity:

- 1,000 lbs - 1-2 layers of cable (39 ft of 1/4" cable)
- 850 lbs - 3 layers of cable (65 ft of 1/4" cable)
- 600 lbs - full drum of cable (250 ft of 1/4" cable)

#### Pulling Capacity:

- |                        |                         |
|------------------------|-------------------------|
| • 10% (6°): 8,000 lbs  | • 60% (31°): 1,500 lbs  |
| • 20% (11°): 4,000 lbs | • 80% (39°): 1,300 lbs  |
| • 40% (22°): 2,100 lbs | • 100% (45°): 1,100 lbs |

MY-TE winch-hoists are rated for what they will vertically lift. Above data is based on the total load that may be pulled,



single line, up a given incline. All capacities are reduced 20% to allow for minimum friction in pull.

#### Cable Strength:

- 5:1 recommended safety factor
- Top-quality galvanized cable available in the following breaking strengths:
 

1/8" - 2,000 lbs	1/4" - 7,000 lbs
3/16" - 4,200 lbs	5/16" - 9,800 lbs

#### Dimensions: (W" x H" x L")

- 100A: 12" x 13" x 23"
- 150A: 12" x 13" x 19"

#### Shipping Weight: 67 lbs

#### Factory-installed Options:

- 230 Volt
- Clutch
- Limit Switch
- Hand Crank
- Alternate Drums
- Upside-Down Mounting
- Variable Speed
- High Speed Gears

### Model Air 1000/Standard Series - Standard Pneumatic Winch-Hoist 1,250 lb. Single-Line or 2,500 lb. Double-Line Lift

#### APPLICATIONS

- Construction: Mechanical, Sheet Metal, Iron Working
- Industrial: Maintenance, Material Handling, Rolling Loads
- Conveyor maintenance
- Stack Emission testing
- Tower maintenance

#### FEATURES

- Worm gear reduction for positive load holding
- Rugged construction
- Pneumatic power
- 10 ft pendant control
- High capacity cable drum
- Frictionless bearings
- Full power reversible
- Optional manual trolley

#### SPECIFICATIONS:

##### Construction Features:

- Heavy-duty angle base drilled for six (6) 1/2" bolts (9/16" mounting holes) with no welding required
- Fully sealed aluminum housings, with precision-cut gears, run in an oil bath
- Stress-proof drum shaft
- Frictionless bearings

##### Gear System:

- 60:1 total reduction
- 30:1 hardened steel worm and forged bronze worm gear drive

- 2:1 motor to worm shaft chain drive with chain guard

#### Power:

- Optimal performance with 100 psi, 65 cfm

#### Speeds:

- 25 FPM: 600 lbs - single-line lift
- 15 FPM: 1,250 lbs - single-line lift
- 7.5 FPM: 2,500 lbs - double-line lift

#### Duty Circle:

- 50% - 30 min/hr when operating at full load

#### Drum Storage:

- |                   |                  |
|-------------------|------------------|
| • 1/8" - 1,000 ft | • 1/4" - 250 ft  |
| • 3/16" - 450 ft  | • 5/16" - 150 ft |

For best results, use the minimum amount of cable required for application plus four safety turns around the drum. Cable sold separately. Length and size must be specified at time of order.

#### Lifting Capacity:

- 1,250 lbs - 1-2 layers of cable (39 ft of 1/4" cable)
- 800 lbs - 3 layers of cable (65 ft of 1/4" cable)
- 600 lbs - full drum of cable (250 ft of 1/4" cable)

#### Pulling Capacity:

- |                        |                         |
|------------------------|-------------------------|
| • 10% (6°): 10,000 lbs | • 60% (31°): 1,900 lbs  |
| • 20% (11°): 5,000 lbs | • 80% (39°): 1,600 lbs  |
| • 40% (22°): 2,600 lbs | • 100% (45°): 1,400 lbs |

My-te winch-hoists are rated for what they will vertically lift. Above data is based on the total load that may be pulled, sin-



gle line, up a given incline. All capacities are reduced 20% to allow for minimum friction in pull.

#### Cable Strength:

- 5-to-1 recommended safety factor
- Top-quality galvanized cable available in the following breaking strengths:
 

1/8" - 2,000 lbs	1/4" - 7,000 lbs
3/16" - 4,200 lbs	5/16" - 9,800 lbs

#### Dimensions: (W" x H" x L")

- 12" x 11" x 22"

#### Shipping Weight: 77 lbs

#### Factory-installed Options:

- Free-Wheeling Clutch
- Hand Crank
- Trolley Mounting
- Alternate Drums

Please call for complete dimensional information, as well as available options & accessories.

**Winches**

**Power Winches**

**Model AC36/Max Series - Max Electric Winch-Hoist**

3,000 lb. Single-Line or 6,000 lb. Double-Line Lift

**APPLICATIONS**

- Heavy duty lifting
- Ideal for in-plant use
- Moving equipment
- Lifting motors and heavy apparatus
- Elevator installation

**FEATURES**

- Worm gear reduction for positive load holding
- Dynamic braking for instant stopping
- Compact, heavy-duty construction
- 115 Volt AC power
- Low voltage 10 ft pendant control
- Full power reversible
- Cable tensioner for better cable tracking

**SPECIFICATIONS**

**Construction Features:**

- Heavy-duty angle base drilled for six (6) 1/2" bolts (9/16" mounting holes) with no welding required
- Fully sealed aluminum housings, with precision-cut gears, run in an oil bath
- Gear guard encloses external gear reduction
- Frictionless bearings

**Gear System:**

- 1430:1 double reduction
- First reduction combines spur gears with hardened steel worm and forged bronze worm gear holds in load position when stopped
- Second reduction uses hardened heavy-duty spur gears

**Power:**

- Universal 18,000 RPM reversible 1.4 HP motor (no-load speed)

- 15 ft power cord plugs into any 115 Volt, AC, grounded outlet
- 6 amp - No-load
- 19 amp - Full-load

**Speeds:**

- 11 RPM: No-load drum speed
- 11 FPM: No-load drum speed
- 9 FPM: 1,000 lbs - single-line lift
- 7.25 FPM: 3,000 lbs - single-line lift
- 3.5 FPM: 6,000 lbs - double-line lift

Note: All speeds are based on one layer of cable on drum.

**Duty Cycle:**

- 25% - 15 min/hr when operating at full load

**Drum Storage:**

- 1/4" - 250 ft
- 5/16" - 160 ft
- 3/8" - 110 ft

For best results, use the minimum amount of cable required for application plus four safety turns around the drum. Cable sold separately. Length and size must be specified at time of order

**Lifting Capacity:**

- 3,000 lbs - 1-2 layers of cable (54 ft of 5/16" cable)
- 2,650 lbs - 3 layers of cable (100 ft of 5/16" cable)
- 2,150 lbs-full drum of cable (160 ft of 5/16" cable)

**Pulling Capacity:**

- 10% (61°): 24,000 lbs
- 20% (11°): 12,200 lbs
- 40% (22°): 6,400 lbs
- 60% (31°): 4,600 lbs
- 80% (39°): 3,800 lbs
- 100% (45°): 3,300 lbs

My-te winch-hoists are rated for what they will vertically lift. Above data is based on the total load that may be pulled, single line, up a given incline. All capacities are reduced 20% to allow for minimum friction in pull.



**Cable Strength:**

- 5 to 1 recommended safety factor
- Top-quality galvanized cable available in the following breaking strengths:  
1/4" - 7,000 lbs  
5/16" - 9,800 lbs  
3/8" - 14,400 lbs

**Dimensions:** (W" x H" x L")  
13" x 13" x 27"

**Shipping Weight:** 127 lbs

**Factory-Installed Options:**

- 230 Volt
- Clutch
- Upside-Down Mounting
- Model DC48 (12V DC Power)

Model DC48 available in 12 Volt DC power. Contact Hanes Supply, Inc. for specifications.

**Model 30-12/300A / Utility Series - Utility Capstan Electric Winch-Hoist**

800 lb. Single-Line or 1,600 lb. Double-Line Lift

**APPLICATIONS**

- Utility Truck Installation
- Overhead Line Crews
- Tower and Antenna Erection
- Transformer Replacement

**FEATURES**

- Worm gear reduction for positive load holding
- Portable and rugged
- 12 Volt DC or 115 Volt AC powered
- 10 ft pendant hand or foot control
- Capstan rope drum
- Frictionless bearings
- Full power reversible

**SPECIFICATIONS**

**Construction Features:**

- Heavy-duty angle base drilled for six (6) 1/2" bolts (9/16" mounting holes) with no welding required
- Fully sealed aluminum housings, with precision-cut gears, run in an oil bath
- Stress-proof drum shaft
- Frictionless bearings

**Gear System:**

*Model 30-12*

- 175:1
- Hardened steel worm and forged bronze worm gear holds load in position when stopped

*Model 300A*

- 286:1

- Hardened steel worm and forged bronze worm gear holds load in position when stopped

**Hoisting Rope:**

Consult your local dealer for type and size of rope. Maintain at least three wraps of rope on capstan drum when in use. Heavier loads may require four wraps of rope.

**Power:**

*Model 30-12*

- Reversible permanent magnet 12 Volt DC motor
- 10 amp - No-load
- 70 amp - Full-load

*Model 300A*

- Universal 18,000 RPM reversible 1.4 HP motor (no-load speed)
- 6 amp - No-load
- 19 amp - Full-load
- 15 ft power cord plugs into any 115 Volt AC grounded outlet

**Speeds:**

*Model 30-12*

- 20 FPM - No-load drum speed
- 15 FPM - 500 lbs

*Model 300A*

- 59 FPM - No-load drum speed
- 30 FPM - 500 lbs



**Model 30-12 shown**

**Duty Cycle:**

- 25% - 15 min/hr when operating at full load

**Dimensions:** (W x H" x L")  
12" x 14" x 19"

**Shipping Weight:**

*Model 30-12* - 65 lbs  
*Model 300A* - 64 lbs

**Factory-Installed Options:**

*Model 30-12*

- Foot Switch
- High Speed Gears
- Pole Mount
- Swivel Mount
- Bayonet Shaft Adapter

*Model 300A*

- Foot Switch
- 230 Volt
- Pole Mount
- Variable Speed
- Bayonet Shaft Adapter
- Swivel Mount

Please call for complete dimensional information, as well as available options & accessories.

## Power Winches

### Model 800/I-Beam Series - I-Beam Electric Winch-Hoist 1,000 lb. Single-Line or 2,000 lb. Double-Line Lift

**APPLICATIONS**

- All Purpose Lifting
- Long-Lift Applications Where Chain Hoist Will Not Reach
- In-Plant Operation Where Load is Being Supported by Hoist Hanging from I-Beam

**FEATURES**

- Worm gear reduction for positive load holding
- Dynamic braking for instant stopping
- Low headroom-12" single line, 19" double line
- Trolley built to beam size
- Hoist complete with cable hook and block for 20 ft lift
- Upper/lower adjustable limit switch

**SPECIFICATIONS**

**Construction Features:**

- Hoist mounted to 3/8" steel trolley with 4" I-beam wheels
- Fully sealed aluminum housings, with precision-cut gears, run in an oil bath
- Stress-proof drum shaft
- Frictionless bearings

**Trolley Size:**

Trolley is built to fit the size of beam specified, from 4" to 15" structural I-beams.  
**We must have your I-beam size.**

*Example: 8" high x 4" wide*



**Gear System:**

- 286:1
- Hardened steel worm and forged bronze worm gear holds load in position when stopped

**Power:**

- Universal 18,000 RPM reversible, 1.4 HP motor (no-load speed)

- 15 ft power cord plugs into any 115 Volt, AC, grounded outlet
- 6 amp - No-load
- 19 amp - Full-load

**Speeds:**

- 59 RPM: No-load drum speed
- 30 FPM: No-load drum speed
- 25 FPM: 500 lbs - single-line lift
- 20 FPM: 1,000 lbs - single-line lift
- 10 FPM: 2,000 lbs - double-line lift

Note: All speeds are based on one layer of cable on drum.

**Duty Cycle:**

25% - 15 min/hr when operating at full load

**Drum Storage:**

Unit has adjustable upper and lower limit switch. Hoist is provided with 42 ft of 1/4" cable for 40-ft lift, single line, and 20-ft lift, double line. Sheave block and safety hook are included. Applications needing longer than 100 ft cable lengths require hoist without limit switch or with upper limit switch control only.

- 1/8" - 1,000 ft
- 1/4" - 250 ft
- 3/16" - 450 ft
- 5/16" - 150 ft

For best results, use the minimum amount of cable required for application plus four safety turns around the drum. Cable sold separately. Length and size must be specified at time of order.

**Lifting Capacity:**

- 1,000 lbs - 1-2 layers of cable (39 ft of 1/4" cable)
- 850 lbs - 3 layers of cable (65 ft of 1/4" cable)
- 600 lbs - full drum of cable (250 ft of 1/4" cable)

**Cable Strength:**

- 5-to-1 recommended safety factor
- Top-quality galvanized cable available in the following breaking strengths:



- 1/8" - 2,000 lbs
- 1/4" - 7,000 lbs
- 3/16" - 4,200 lbs
- 5/16" - 9,800 lbs

**Dimensions:** (W" x H" x L") 15" x 14" x 25"

\*Complete unit size varies depending on I-beam size.

**Shipping Weight:** 128 lbs

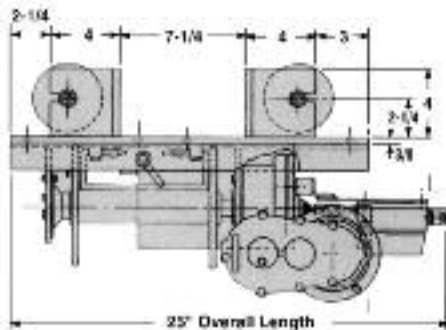
**Factory Installed Options:**

- 230 Volt
- 12 Volt DC - Model 80-12
- 3-Ton Hoist - Model HAC 36
- Lug Mount Trolley
- Motorized Trolley Hoist
- Upper Limit Switch Only

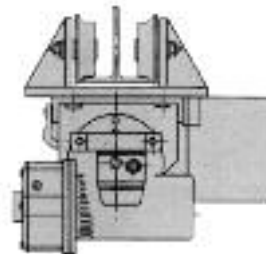
My-te can even custom design winch-hoists for your special needs. For application assistance, including the specification of a My-te winch-hoist to meet your requirements, contact Hanes Supply, Inc.

NOTE: All My-te winches and hoists are designed for material handling usage only.

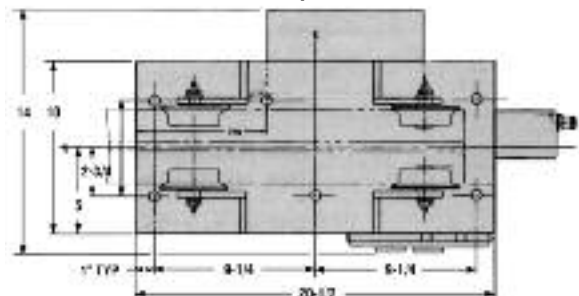
**Front View**



**Side View**



**Top View (Frame Only)**



**Winches**

**Power Winches**

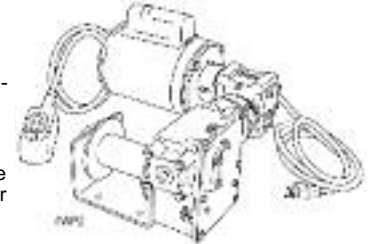
**THERN POWER WINCHES**

**Series 4WP - Worm Gear Power Winches**

Up to 2000 lb capacity

- Wire Rope Assemblies sold separately.
- Cast Aluminum construction, for lightweight strength.
- Corrosion Resistant durable paint finish protects against corrosion in harsh environments.
- Large Diameter Drums minimize wear to the wire rope and help extend its life.
- Machine Cut Worm Gears provide accurate operation and long lasting service.
- Enclosed Oil Bath provides continuous lubrication of gears to minimize wear. Oil seals keep oil in and dirt out.

- 115 Volt Single Phase Electric Motor includes power cord with grounded plug and a momentary contact-type push button pendant control on a control cord.
- Internal Mechanical Brake provides positive load control for lifting and lowering operations.
- Ball Bearings and self-aligning bronze bearings provide smooth and efficient operation.
- Dual Function Cable Anchor for quick disconnect of wire rope with swagged ball fitting, or recessed cable anchor with set screw for wire rope with unfinished end.
- Mounting Options include floor, wall, or ceiling.



Model No.	Motor Description	Motor hp	load rating (lb)			wire rope dia. (in)	line speed (fpm) <sup>5</sup>			drum capacity (ft) <sup>1</sup>			approx. ship wt. (lbs)
			1st layer	mid drum	full drum		1st layer	full drum	1st later	mid drum	full drum		
4WP2 <sup>2</sup>	115/1/60 VAC - 6 ft pendant	1.3	2000	1500	1200	1/4	8	13	11	35	77	83	
4WP2T8 <sup>8</sup>	115/1/60 VAC - 16 ft pendant	1.3	2000	1200	800	1/4 5/16	8 8	19 19	19 15	130 85	280 190	100	
4WP2T8-A <sup>9</sup>	115/1/60 VAC - no controls	1.3	2000	1200	800	1/4 5/16	8 8	19 19	19 15	130 85	280 190	100	
4WP2T8-B <sup>9</sup>	230/1/60 VAC - no controls	1.3	2000	1200	800	1/4 5/16	8 8	19 19	19 15	130 85	280 190	100	
4WP2T8-D <sup>9</sup>	230/3/60 VAC - no controls	1.3	2000	1200	800	1/4 5/16	8 8	19 19	19 15	130 85	280 190	100	
4WP2T8-E <sup>9</sup>	460/3/60 VAC - no controls	1.3	2000	1200	800	1/4 5/16	8 8	19 19	19 15	130 85	280 190	100	
4WP2T8-PN <sup>6</sup>	pneumatic - with controls	1.3	2000	1200	800	1/4 5/16	8 8	19 19	19 15	130 85	280 190	100	

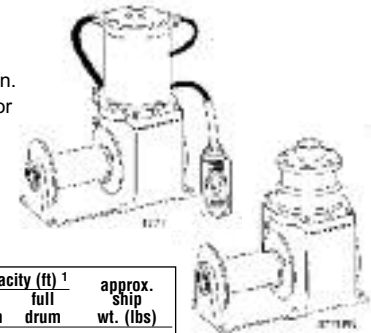
1 Actual drum capacities may be 25-30% less, due to nonuniform winding. Tension in wire rope will also affect drum capacity.  
 2 Model 4WP2, 115 VAC motor includes 8 ft. power cord with grounded plug, and push button pendant control on 6 ft cord.  
 5 For pneumatic model, line speed is based on rated load, actual line speed varies with load weight and power supply.  
 6 For Model 4WP2T8-PN, ratings are for 80 cfm at 100 psi.  
 8 Model 4WP2T8, 115 VAC motor includes 16 ft. power cord with grounded plug, and push button pendant control on 16 ft cord.  
 9 Controls are sold separately for all non-standard electric motors (-A, -B, -D and -E).

**Series 477 - Helical/Worm Gear Power Winches**

Up to 2,000 lb. capacity

- Machine Cut Gears for accurate and long lasting service.
- Enclosed Oil Bath provides continuous lubrication of gears to minimize wear. Oil seals keep oil in and dirt out.
- Internal Mechanical Brake for positive load control.
- Cast Aluminum construction for lightweight strength, with durable paint finish to resist corrosion.

- Ball Bearings ensure smooth and efficient operation.
- Series 4777 is designed with a 4 inch wide drum for tight fleet angle installations.
- Accessory Options include limit switches, cable pressure plates, torque limiting controls, and manual overrides.
- Wire Rope sold separately.



Model No.	Motor Description	Motor hp	load rating (lb)			wire rope dia. (in)	line speed (fpm)			drum capacity (ft) <sup>1</sup>			approx. ship wt. (lbs)
			1st layer	mid drum	full drum		1st layer	full drum	1st later	mid drum	full drum		
4771 <sup>2</sup>	115/1/60 VAC - 6 ft pendant	1.2	2,000	1,500	1,200	5/16	13	22	13	40	90	93	
4771AC-1PH	115/1/60 VAC - less controls	1.2	2,000	1,500	1,200	5/16	13	22	13	40	90	87	
4771AC-1PH2	115/230/1/60 VAC - less controls	1.5	2,000	1,500	1,200	5/16	13	22	13	40	90	115	
4771AC-3PH	230/460/3/60 VAC - less controls	1.5	2,000	1,500	1,200	5/16	13	22	13	40	90	111	
4771 DC <sup>5</sup>	12 VDC - with 10 ft pendant	1.0	2,000	1,500	1,200	5/16	13	22	13	40	90	105	
4771 PN <sup>5,6</sup>	pneumatic - less controls	1.2	2,000	1,500	1,200	5/16	13	22	13	40	90	74	
4771 HY <sup>5,6</sup>	hydraulic - less controls	2.3	2,000	1,500	1,200	5/16	13	22	13	40	90	72	
4777 <sup>2</sup>	115/1/60 VAC - 6 ft pendant	1.2	2,000	1,500	1,200	5/16	13	22	7	27	60	93	
4777DC <sup>5</sup>	12 VDC - with 10 ft pendant	1.0	2,000	1,500	1,200	5/16	13	22	7	27	60	105	

1 Actual drum capacities maybe 25-30% less, due to non-uniform winding. Tension in wire rope will also affect drum capacity.  
 2 Motor includes an 8 ft. power cord with grounded plug, and a push button pendant control on 6 ft cord.  
 5 For pneumatic, hydraulic, and DC models, line speed is based on rated load, actual line speed varies with load weight and power supply.  
 6 For Model 4771 PN, ratings are for 80 cfm at 100 psi. For Model 4771 HY, ratings are for 4 gpm at 1000 psi.





**Winches**

**Power Winches**

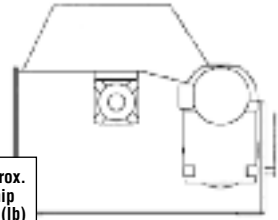
**Series 4HS - Helical/Spur Gear Power Winches**

Up to 56,000 lb capacity

Modular design allows us to make-to-order each winch to meet your exact needs. TEFC severe duty brake-motors, enclosed gearing, flange style roller bearings,

and 2-year limited warranty. Custom modifications are also available.

**Please order wire rope and controls separately.**



Model No.	Model No. Extensions				Motor hp	Load Rating (lb)			Wire Rope Dia. (in)	Line Speed (fpm)		Drum Capacity (ft) <sup>1</sup>			Approx. Ship Wt. (lb)
	Load Rating	Line Speed	Motor Codes	Clutch Option		1st Layer	Mid Drum	Full Drum		1st Layer	Full Drum	1st Layer	Mid Drum	Full Drum	
4HS40M	33000	20	D, E, F	C	20	33,100	24,100	18,900	1-1/4	19	34	95	460	1030	5568
4HS40M	33000	30	D, E, F	C	30	33,000	24,100	18,900	1-1/4	29	51	95	460	1030	5652
4HS40M	33000	40	D, E, F	C	40	33,100	24,100	18,900	1-1/4	39	68	95	460	1030	5799
4HS40M	40000	20	D, E, F	C	20	40,300	29,300	23,000	1-1/4	17	29	95	460	1030	5568
4HS40M	40000	25	D, E, F	C	30	40,300	29,400	23,100	1-1/4	23	41	95	460	1030	5652
4HS40M	40000	35	D, E, F	C	40	40,000	29,400	22,900	1-1/4	34	59	95	460	1030	5799
4HS56M	48000	20	D, E, F	C	30	48,000	36,600	29,600	1-1/2	21	34	130	550	1230	9217
4HS56M	48000	30	D, E, F	C	40	48,000	36,600	29,600	1-1/2	28	45	130	550	1230	9364
4HS56M	52000	35	D, E, F	C	50	52,200	39,800	32,100	1-1/2	33	53	130	550	1230	9479
4HS56M	56000	20	D, E, F	C	30	56,000	42,700	34,500	1-1/2	18	30	130	550	1230	9217
4HS56M	56000	25	D, E, F	C	40	56,000	42,700	34,500	1-1/2	24	39	130	550	1230	9364
4HS56M	56000	50	D, E, F	C	50	56,200	42,900	34,600	1-1/2	30	48	130	550	1230	9479

**Motor Codes**  
D 230 volt 3 phase  
E 460 volt 3 phase  
F Please call for information on all other voltages

<sup>1</sup> Actual drum capacities 25-30% less, due to non-uniform winding. Wire rope tension will also affect drum capacity.

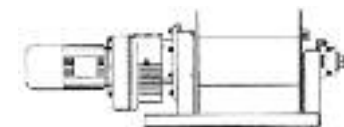
**Series 4HPF - Helical/Parallel Gear Power Winches**

Up to 26,000 lb capacity

Helical/parallel gearing provides efficiency required for applications involving quick line speeds or long travel distances. Standard features include TEFC severe duty brakemotors, enclosed gearing, flange style or

roller bearings, and 2-year limited warranty. Custom modifications are also available.

**Please order wire rope and controls separately.**



Model No.	Model No. Extensions			Motor hp	Load Rating (lb)			Wire Rope Dia. (in)	Line Speed (fpm)		Drum Capacity (ft) <sup>1</sup>			Approx. Ship Wt. (lb)
	Load Rating	Line Speed	Motor Codes		1st Layer	Mid Drum	Full Drum		1st Layer	Full Drum	1st Layer	Mid Drum	Full Drum	
4HPF2M	2000	20	D, E, F	1	2100	1300	1000	5/16	17	38	34	250	560	170
4HPF2M	2000	35	D, E, F	2	2100	1300	1000	5/16	34	76	34	250	560	200
4HPF3M	3000	20	D, E, F	1.5	3000	2100	1600	3/8	19	33	33	160	360	250
4HPF3M	3000	35	D, E, F	3	3300	2300	1800	3/8	33	59	33	160	360	260
4HPF5M	5000	20	D, E, F	3	5000	3100	2300	1/2	22	49	52	400	890	495
4HPF5M	5000	35	D, E, F	5	5000	3100	2300	1/2	37	81	52	400	890	495
4HPF7M	7000	25	D, E, F	5	7300	5400	4300	5/8	24	40	51	230	510	645
4HPF7M	7000	40	D, E, F	7.5	7300	5400	4300	5/8	38	64	51	230	510	760
4HPF9M	9000	20	D, E, F	5	9000	6500	5100	3/4	21	37	65	310	700	1000
4HPF9M	9000	40	D, E, F	10	9000	6500	5100	3/4	41	73	65	310	700	1115
4HPF15M	15000	25	D, E, F	10	14,300	10,900	8800	7/8	26	41	57	210	480	1340
4HPF15M	15000	35	D, E, F	15	15,100	11,500	9300	7/8	36	59	57	210	480	1370
4HPF20M	20000	20	D, E, F	10	20,100	14,100	10,800	1	17	31	97	520	1160	2395
4HPF20M	20000	40	D, E, F	25	20,100	14,000	10,800	1	43	81	97	520	1160	2620
4HPF25M	25000	20	D, E, F	15	25,200	19,200	15,500	1-1/8	20	32	96	380	840	3185
4HPF25M	25000	40	D, E, F	30	25,000	19,000	15,400	1-1/8	42	68	96	380	840	3440

**Motor Codes**  
D 230 volt 3 phase  
E 460 volt 3 phase  
F Please call for information on all other voltages

<sup>1</sup> Actual drum capacities 25-30% less, due to non-uniform winding. Wire rope tension will also affect drum capacity.

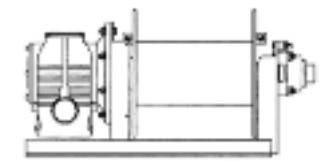
**Series 4HWF - Helical/Worm Gear Power Winches**

Up to 8,100 lb capacity

Helical/worm gearing provides rugged reliability suitable for severe duty applications. Standard features include TEFC severe duty brakemotors, enclosed

gearing, flange style roller bearings, and 2-year limited warranty. Custom modifications are also available.

**Please order wire rope and controls separately.**



Model No.	Model No. Extensions			Motor hp	Load Rating (lb)			Wire Rope Dia. (in)	Line Speed (fpm)		Drum Capacity (ft) <sup>1</sup>			Approx. Ship Wt. (lb)
	Load Rating	Line Speed	Motor Codes		1st Layer	Mid Drum	Full Drum		1st Layer	Full Drum	1st Layer	Mid Drum	Full Drum	
4HWF1M	1500	25	D, E, F	1.5	1500	900	700	1/4	23	52	43	370	830	190
4HWF1M	1500	35	D, E, F	2	1500	900	700	1/4	32	73	43	370	830	190
4HWF2M	2000	25	D, E, F	2	2200	1500	1200	5/16	22	40	41	230	500	235
4HWF2M	2000	35	D, E, F	3	2200	1500	1200	5/16	34	63	41	230	500	255
4HWF4M	4000	25	D, E, F	3	4000	2500	1800	7/16	21	47	60	510	1140	480
4HWF4M	4000	35	D, E, F	5	4000	2500	1800	7/16	35	78	60	510	1140	480
4HWF6M	6000	25	D, E, F	5	6000	4400	3400	1/2	24	42	66	350	770	650
4HWF6M	6000	35	D, E, F	7.5	6000	4400	3400	1/2	35	61	66	350	770	705
4HWF8M	8000	25	D, E, F	7.5	8100	5800	4500	5/8	27	47	78	440	990	1120
4HWF8M	8000	35	D, E, F	10	8100	5800	4500	5/8	39	64	78	440	990	1180

**Motor Codes**  
D 230 volt 3 phase  
E 460 volt 3 phase  
F Please call for information on all other voltages

<sup>1</sup> Actual drum capacities 25-30% less, due to non-uniform winding. Wire rope tension will also affect drum capacity.

## Power Winches

### Heavy Duty Lifting Winch - Single Phase



Model No.	WLL (1st Layer)		WLL (4th Layer)		Line Speed (1st Layer)		Line Speed (4th Layer)		Rope Dia.		Rope Capacity (4 Layers)		Motor Power (@ Rated Line Speed)		Wt.	
	lb	kg	lb	kg	fpm	m/min	fpm	m/min	in	mm	ft	m	Hp	kw	lb	kg
LS 400	400	181	311	141	16	5	21	6	1/8	3	125	38	0.33	0.2	130	59
LS 800	800	363	613	278	16	5	21	6	3/16	5	200	61	0.75	0.6	212	96
LS 1400	1,400	635	1,064	483	16	5	21	6	1/4	6	250	76	1.00	0.7	322	146
LS 2000	2,000	907	1,519	689	15	5	20	6	5/16	8	300	91	1.50	1.1	420	190
LS 2400	2,400	1,088	1,811	821	16	5	21	6	3/8	10	300	91	2.00	1.5	548	249

**Plug and Go** - Jearmar's new Heavy Duty Single Phase Lifting Winch is supplied complete with controls and wire rope. It's compact and portable. Just bolt it down, plug it in and start winching.

**Motors** - The motors used in this series of winches are low horsepower and high efficiency. They are ideal in situations with limited power supplies. All motors in this series of lifting winches are single phase 115/230/1/60 at 50 or 60 Hz and conform to NEMA and EEMAC standards.

**Controls** - Weatherproof controls are pre-wired and fitted to the winch for instant use. Included are a reversing starter, a 10-foot lead with a pendant, push-button station and three feet of lead ready to plug in to a power supply. Controls conform to NEMA and EEMAC 4.

**Winch Drums** - Drums are steel fabricated and designed to specific loading capacity. All Jearmar drums are sized according to ASME B30.7.89 to provide a minimum pitch diameter of 18 times the nominal rope diameter

**Direct Drive** - A simple, direct-drive design increases the efficiency of the winch and eliminates drive chains or bull gears to maximize power output.

**Any Position** - An open-base design permits mounting in horizontal or vertical positions. Loads can be pulled through the base itself, a feature which is particularly useful in limited-space applications.

**Ball & Roller Bearings Throughout** - Friction load loss is reduced to a minimum through the use of ball and roller bearings. No bushings means higher efficiency and more power for pulling.

**Power In - Power Out** - For added safety, all winches are fully reversible, giving the operator complete control of the winch load in both directions at all times.

**Gear Reducers** - All Jearmar lifting winches have high-efficiency helical/worm reducers plus high-capacity, anti-friction bearings for long life, low noise and high output torque. Totally enclosed reducers make them waterproof.

**Electromagnetic Brake** - The automatic electromagnetic brake is a disc type that is powered to the off position and spring loaded to the on position. In the event of a power failure, the brake will automatically return to the on position and hold the load securely.

### Heavy Duty Lifting Winch - Three Phase



Model No.	WLL (1st Layer)		WLL (4th Layer)		Line Speed (1st Layer)		Line Speed (4th Layer)		Rope Dia.		Rope Capacity (4th Layer)		Motor		Wt.	
	lb	kg	lb	kg	ft/min	m/min	fpm	m/min	in	mm	ft	m	Hp	kw	lb	kg
L 400	400	182	311	141	23	7.0	29	8.8	1/8	3	125	38	1/2	.370	75	34
L 800	800	363	616	279	30	9.1	40	12.2	3/16	5	200	61	1	.75	135	62
L 1400	1,400	635	1,060	480	25	7.6	33	10.0	1/4	6	250	76	1-1/2	1.1	195	89
L 2000	2,000	909	1,500	682	20	6.1	26	7.9	5/16	8	300	92	2	1.5	263	120
L 3000	3,000	1,364	2,250	1,023	24	7.3	32	9.8	3/8	10	300	92	3	2.2	440	200
L 5000	5,000	2,266	3,750	1,704	28	8.5	37	11.3	1/2	13	300	92	5	3.7	774	351
L 8000	8,000	3,625	6,000	2,727	24	7.3	32	9.8	5/8	16	300	92	7-1/2	5.5	1,390	630
L 12000	12,000	5,437	9,000	4,090	21	6.4	28	8.5	3/4	19	360	110	10	7.5	2,060	936
L 16000	16,000	7,256	12,000	5,755	21	6.4	28	8.5	7/8	22	360	110	15	11.2	3,060	1,390

**Winch Drums** - Drums are steel fabricated and designed to specific loading capacity. Drums are sized according to ASME B30.7.89 to provide a minimum pitch diameter of 18 times the nominal rope diameter.

**Direct Drive** - A simple, direct-drive design increases the efficiency of the winch and eliminates drive chains or bull gears, to maximize power output.

**Any Position** - An open-base design permits mounting in horizontal or vertical positions. Loads can be pulled through the base itself, which is particularly useful in limited space installations.

**Ball & Roller Bearings Throughout** - Friction load loss is reduced to a minimum through the use of ball and roller bearings. No bushings means higher efficiency and more power for pulling.

**Power In-Power Out** - For added safety, all winches are fully reversible. This gives the operator complete control of the winch load in both directions at all times.

**Electric Motors** - All models are equipped with high-starting-torque, 3-phase motors in any standard voltage, 50 or 60 Hz. All motors are TEFC flange mounted and conform to NEMA EEMAC or IEC specifications.

**Gear Reducers** - All Jearmar lifting winches utilize high-efficiency helical worm or worm reducers plus high capacity, anti-friction bearings for long life, low noise and high output torque. Totally enclosed reducers make them weatherproof.

**Electromagnetic Brake** - The automatic electromagnetic brake is a disc type that is activated automatically in the event of a power interruption. The brake will stop the winch and hold the load securely.

### Heavy Duty Capstan Winches



Model No.	WLL Starting		WLL Running		Rope Speed		Rope Dia.		Motor		Wt.	
	lb	kg	lb	kg	ft/min	m-min	in	mm	Hp	kw	lb	kg
VC 2000-26	2,000	907	1,000	453	26	7.92	5/8	16	1.5	1.1	202	92
VC 5000-30	5,000	2,268	2,500	1,134	30	9.14	1-1/8	29	3	2.2	480	218
VC 5000-45	5,000	2,268	2,500	1,134	45	13.72	1-1/8	29	5	3.7	450	204
VC 8000-13	8,000	3,628	4,000	1,814	13	3.96	1-1/2	38	3	2.2	530	240
VC 8000-30	8,000	3,628	4,000	1,814	30	9.14	1-1/2	38	5	3.7	600	272
VC 12000-17	12,000	5,442	6,000	2,721	17	5.18	1-3/4	44	5	3.7	700	318
VC 15000-13	15,000	6,804	7,500	3,402	13	3.96	2	51	5	3.7	820	372
VC 20000-17	20,000	9,091	10,000	4,545	17	5.18	2-1/2	64	7.5	5.6	2,277	1,033

Capstan winches are used primarily to pull railcars on a level track and to pull ships to dockside. In these applications, the working load limit "starting" is the intermittent rating for overcoming inertia and should not be used on a continuous basis. The working load limit "running" is the rating used once the load is moving at a constant speed.

**Direct Drive** - A direct-drive design increases the efficiency of the capstan puller and eliminates drive chains or bull gears to maximize power output.

**Any Angle** - Rope can come off the capstan at any angle, enabling the operator to stand in the most appropriate location.

**Gear Reducers** - All Jearmar winches utilize high efficiency worm, helical, helical-worm or helical-bevel reducers plus high-capacity, anti-friction bearings designed for long life, low noise and higher output torque.

**High Starting Loads** - High-starting-torque, 3-phase

motors are available in all standard voltages at 50 and 60 Hz. These motors are suited to railcar pulling where momentary overloads occur when a railcar is started in motion. Single phase motors at 115/230 volts at 50 or 60 Hz are available as an option in some cases.

**Winches**

**Power Winches**

**Heavy Duty Electric Winches - Jeamar**

Jeamar Winches are precision engineered to International standards. An extensive range of models and sizes are available including:

- Lifting winches • Hauling winches • Capstan winches

Numerous options are available relative to the model of the winch:

- Grooved drums • Controls
- Free spooling • Limit switches
- Explosion proof motors
- Electrics can be supplied at any standard voltage at 50 or 60 hertz.



VC Series (Capstan)



NLT Series (Lifting)



NHT Series (Hauling)

**NHT Series (Hauling)**

Model No.	WLL (1st Layer) (lb)	Line Speed (1st Layer) (ft/min)	Rope Dia. (in)	Rope Cap. (4th Layer) (ft)	Motor (Hp)	Wt. (lb)
NHT 550	550	27	1/8	113	1/2	94
NHT1100	1100	28	3/16	117	1	146
NHT1900	1900	31	1/4	226	2	229

**NLT Series (Lifting)**

Model No.	WLL (1st Layer) (lb)	Line Speed (1st Layer) (ft/min)	Rope Dia. (in)	Rope Cap. (4th Layer) (ft)	Motor (Hp)	Wt. (lb)
NLT 400	400	22	1/8	175	1/2	130
NLT 800	800	22	3/16	220	1	212
NLT 1400	1400	24	1/4	250	2	322

**VC Series (Capstan)**

Model No.	WLL Starting (lb)	WLL Running (lb)	Rope Speed (ft/min)	Rope Dia. (Polypropylene) (in)	Motor (Hp)	Wt. (lb)
VC2000-26	2000	1000	26	5/8	1.5	202
VC5000-30	5000	2500	30	1-1/8	3	330
VC5000-45	5000	2500	45	1-1/8	5	355

Larger size winches available on request

**Electric Winches - Jet**

**EW-10**

- Powerful, compact winch
- Power-in and power-out
- Locks and holds in any position
- 6' remote push button control
- Pulley block for double line operation doubles pulling capacity and cuts line speed in half
- Permanently lubricated gearbox requires no lubrication
- Dynamic brake stops and holds the load when switch is off



EW-10

**EW-20A**

- Most economical winch available
- Designed for mounting in almost any position
- Unit comes complete with 24 ft power harness that connects to the winch switch
- Local switch can be operated with remote lanyard
- Switch rotates in either direction for power forward and power reverse
- Self-locking gearbox
- Winch will lock and hold load in off position
- Switch is spring-loaded to return to the neutral off position
- Dynamic brake stops and holds the load when switch is off



EW-20A

**EW-30A**

**EW-30A**

- Mounted switch can be operated with remote lanyard
- Power-in and power-out
- Cable tension plate keeps cable tight on drum
- Fairlead included with the winch
- Emergency hand crank and hand saver bar
- 24 ft power harness and switch
- Pulley block for double-line operation doubles pulling capacity and cuts line speed in half
- Dynamic brake stops and holds the load when switch is off
- Self-locking gearbox
- Circuit breaker assembly protects winch and battery from overload



**EW-60A**

- Motor and solenoids protected from dust, dirt and weather with heavy-duty case
- Cable tension plate keeps cable tight a drum
- Fairlead included with the winch
- Emergency hand crank and hand saver bar
- Hand-held forward/reverse switch on 10' cord permits remote operation
- 25 ft power harness included
- Pulley block for double-line operation doubles pulling capacity and cuts line speed in half
- Dynamic brake stops and holds the load when switch is off
- Self-locking gearbox
- Circuit breaker assembly protects winch and battery from overload



EW-60A

**Guide for Selecting Winches for Boat Trailers**

Boat Length	Wt (lbs)	Sugg. Model
All outboards up to 17'	up to 2,500	EW-20A
All outboards and I/O's up to 22'	up to 6,000	EW-30A
I/O's over 22'	up to 9,000	EW-60A

Model:	EW-10	EW-20A	EW-30A	EW-60A
Stock No:	182080	182010	182085	182077
*Vertical Lift Capacity (lbs)				
Single Line:	1,000	1,000	2,500	3,500
Double Line:	2,000	2,000	5,000	7,000
Boat or Vehicle Cap'y (lbs):	-	2,500	6,000	9,000
Rolling Load (lbs)				
Max Wt @ 20% Grade**:	-	3,400	8,500	11,900
Max Wt @ 30% Grade**:	-	2,600	6,500	9,150
Max Wt @ 50% Grade**:	-	1,850	4,650	6,500
Cable Spd FPM (full-no load):	15 - 30	8 - 22	5 - 27	6 - 30
Motor (HP/ V):	1/115V, 1Ph	.5/12V, DC	1.3/12V, DC	1.6/12V, DC
Amps (full-no load):	12.5 - 1	80 - 15	175 - 25	230 - 27
Gear Ratio:	148:1	123:1	148:1	148:1
Aircraft Cable Size (ODxL):	5/32" x 45'	5/32" x 25'	7/32" x 40'	7/32" x 50'
Dimensions (LxOxH/in):	15 x 5-3/8 x 5-3/4	11-3/8 x 5-3/8 x 5-3/4	12 x 5-3/8 x 5-3/4	13-1/2 x 7-3/4 x 6-1/4
Net Wt (lbs):	18	15	25	39

\* Vertical lift is equivalent to straight line pull measured at top layer of fully spooled cable for comparison only.  
\*\* A 10% grade is a rise of one foot in ten feet.

**DO NOT** use as an overhead hoist. Winches are not to be used for lifting, supporting or transporting people, or lifting or supporting loads over people. Before installation, see operations manual for warnings and precautions.

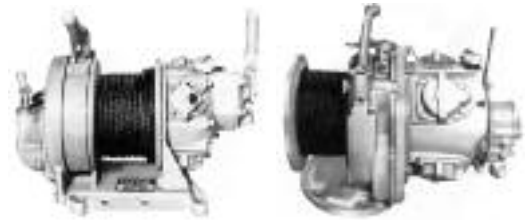
# Air Winches

## Air Winches - Ingersoll-Rand

Ingersoll-Rand offers the broadest selection of air winches in the world, including utility and personnel lifting winches. This guide will assist you in selecting the Ingersoll-Rand air winch best suited for your application.

### Utility rated air winches

- Used for lifting or pulling of materials, or tensioning up to the rated capacity of the winch.
- Meets ASME B30.7
- Rated with a 5:1 design factor for lifting and lowering loads
- Special versions available to meet the European Machinery Directives
- Rated at 3.5:1 design factor for pulling loads
- Allow use of clutch with manual band brake and local throttle control for spooling off unloaded cable.
- Applications include construction, mining, offshore oil, refineries, heavy industry, utilities, shipbuilding, maintenance
- Not to be used for lifting people



**Classic™ BU7A Air Winch**  
1000 lb (454 kg) capacity

**Classic™ EU Air Winch**  
2000 lb (909 kg) capacity

### Utility Air Winch Series Quick Selection Guide\*

Utility Models	ASME B30.7 Allowable Rated Line Pulls w/Design Factor (DF)				Rated Lift Capacity at	Clutch	Standard Cable Pay Out	European Union Version
	Lifting (5:1 DF)		Pulling (3.5:1 DF)					
	lbs	kg	lbs	kg				
BU7A	1,000	454	1,425	648	Mid layer	Standard	Overwound	Yes
LS600R <sup>4</sup>	1,320	600	2,200	1,000	Top layer	N/A	Overwound	Yes
PS1000R <sup>3,4</sup>	-	-	2,200	1,000	First layer	Standard	Overwound	Yes
EU	2,000	909	2,855	1,298	Mid layer	Standard	Overwound	N/A
LS1500R <sup>4</sup>	3,300	1,500	5,280	2,400	Top layer	N/A	Underwound	Yes
PS2400R <sup>3,4</sup>	-	-	5,280	2,400	First layer	Standard	Underwound	Yes
FA2A	4,000	1,818	5,715	2,598	Mid layer	Option	Overwound	Yes
FA2	4,400	2,000	6,285	2,857	Top layer	N/A	Overwound	Yes
FA2.5	5,000	2,273	7,140	3,245	Top layer	N/A	Overwound	Yes
FA2.5A	5,000	2,273	7,140	3,245	Mid layer	Option	Overwound	Yes
FA5T	8,400	3,818	12,000	5,454	Top layer	N/A	Overwound	Yes
FA5A	10,000	4,545	14,285	6,493	Mid layer	Option	Overwound	Yes
FA5	11,000	5,000	15,715	7,143	Top layer	N/A	Overwound	Yes
FA7T	12,600	5,727	18,000	8,182	Top layer	N/A	Overwound	Yes
FA7	15,400	7,000	22,000	10,000	Top layer	N/A	Overwound	Yes
FA10	22,000	10,000	31,425	14,284	Top layer	N/A	Overwound	Yes

\*Please call for complete technical information.



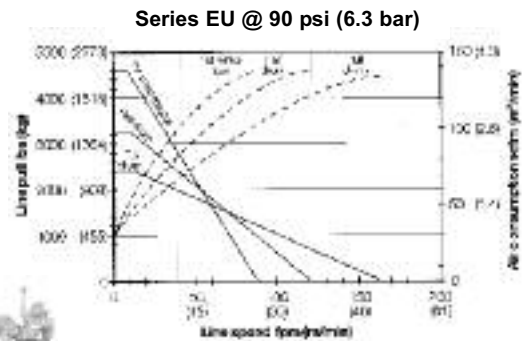
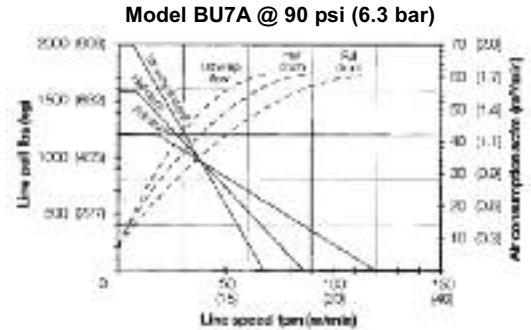
**Force 5® "Third Generation" Air Winch Series**  
4400 to 10000 lb  
(181 to 4545 kg) capacity



**Force 5® Air Winch Series**  
4400 to 22000 lb  
(2000 to 10000 kg) capacity



**Force 5® "Offshore" Man Rider® Series**  
3180 to 6875 lb  
(1445 to 3125 kg) capacity



**INGERSOLL-RAND**  
MATERIAL HANDLING

### Specifications

Air Winch Series	Lifting capacity		Line speed		Recommended Rope Size <sup>2</sup>				Drum Root Diameter		Motor hp	Average required		Pipe Inlet Size	Hose Size Dia.	Rope Anchor Hole	Maximum Stall Pull				
	lbs <sup>1</sup>	kg <sup>1</sup>	fpm	m/min	15:1		18:1		in	mm		scfm	m <sup>3</sup> /min				in	in.	in	lbs	kg
					in	mm	in	mm													
BU7A	1,000	455	45	14	1/4	6.5	1/4	6.5	4-1/2	114	1.6	42	1.2	1/2	3/4	3/8	1,950	886			
LS600R <sup>4</sup>	1,320	600	34	10	1/4	6.5	5/16	6.5	5-1/2	140	2	78	2.2	1/2	3/4	3/8	2,475	1,125			
PS1000R <sup>3,4</sup>	-	-	15	4.6	1/4	6.5	5/16	8	5-1/2	140	2	78	2.2	1/2	3/4	3/8	2,475	1,125			
EU	2,000	909	55	17	3/8	10	3/8	10	6	152	4.4	100	2.8	3/4	1	9/16	4,500	2,045			
LS1500R <sup>4</sup>	3,300	1,500	22	7	3/8	10	3/8	10	7-3/32	180	3.3	125	3.5	3/4	3/4	10mm	7,000	3,182			
PS2400R <sup>3,4</sup>	-	-	12	3.7	3/8	10	3/8	10	7-3/32	180	3.3	125	3.5	3/4	3/4	10mm	7,000	3,182			
FA2A	4,000	1,818	118	36	5/8	16	1/2	13	9-1/4	235	15	270	7.7	1	1-1/4	5/8	7,000	3,182			
FA2	4,400	2,000	55	17	3/4	19	5/8	16	10-3/4	273	9.4	335	9.4	1	1-1/4	3/4	9,000	4,091			
FA2.5A	5,000	2,273	135	41	5/8	16	1/2	13	9-1/4	235	15	560	15.9	1-1/2	1-1/2	5/8	10,400	4,727			
FA2.5	5,000	2,273	140	43	3/4	19	5/8	16	10-3/4	273	25	700	19.9	1-1/4	1-1/2	3/4	10,000	4,545			
FA5T	8,400	3,818	80	24	1	25	3/4	19	15	381	25	700	19.9	1-1/4	1 1/2	1	24,000	10,909			
FA5A	10,000	4,545	60	18	7/8	22	3/4	19	12-3/4	324	25	600	17.0	1-1/2	1-1/2	3/4	17,000	7,727			
FA5	11,000	5,000	65	20	1	25	3/4	19	15	381	25	700	19.9	1-1/4	1-1/2	1	24,000	10,909			
FA7T	12,600	5,727	50	15	1-1/8	29	7/8	22	16	406	25	750	21.3	1-1/4	1-1/2	1-1/8	36,000	16,364			
FA7	15,400	7,000	45	14	1-1/8	29	7/8	22	16	406	25	750	21.3	1-1/4	1-1/2	1-1/8	36,000	16,364			
FA10	22,000	10,000	30	9	1-3/8	35	1-1/8	29	20	508	31	800	22.7	1-1/4	1-1/2	1-3/8	38,000	17,273			

<sup>1</sup> Lifting capacity rating complies with ASME B30.7 for base mounted drum hoists. Provides 5:1 design factor based on the rated line pull for lifting. <sup>2</sup> Extra improved plow steel IWRC wire rope <sup>3</sup> The PS1000R and PS2400R are fitted as standard with a free spool clutch. These winches can be used for lifting at reduced capacity to maintain 5:1 DF only in those countries that allow it, eg, USA where PS1000R and PS2400R have same lift rating as LS600 and 1500 respectively. <sup>4</sup> Call for Liftstar and Pullstar specifications  
Note: Adding "-E" to model states compliance with European Machinery Directive.

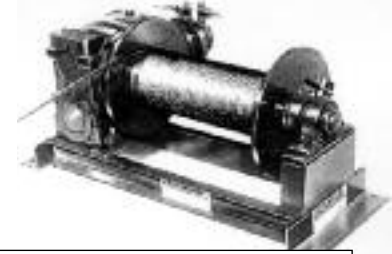
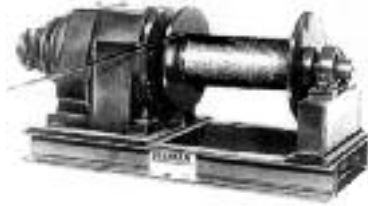
**Winches**

**Air Winches**

**Heavy Duty Air Winches - Jeamar**

Jeamar Air Winches are designed and manufactured for continuous, heavy duty operation with minimum service factor of 1. Both tugger and lifting winches are offered in a wide variety of sizes. Jeamar air motors are fully reversible vane type. Positive starting and precise control are

central features of the motors, which have been designed for long life and low-cost operation. Control valves feature proportional flow with spring return to neutral for 'deadman' operation. Valves control the winch speed by varying air flow to the motor.



**HA Series (Tugger)**

Model No.	WLL 1st layer (lbs)	Line Speed 1st layer (ft/mni)	Rope Dia. (in)	Rope Cap. 4th layer (ft)	Air Consumption (cfm)	Wt. (lbs)
HA 550	550	25	1/8	125	58	92
HA 1100	1100	28	3/16	160	110	130
HA 1900	1900	27	1/4	215	110	190

**LA Series (Lifting)**

Model No.	WLL 1st layer (lbs)	Line Speed 1st layer (ft/mni)	Rope Dia. (in)	Rope Cap. 4th layer (ft)	Air Consumption (cfm)	Wt. (lbs)
LA 400	400	24	1/8	125	58	128
LA 900	900	24	3/16	187	110	196
LA 1400	1400	24	1/4	250	110	289

**gripwinch Information**



Fig. 1

GRIPWINCH is a motorized hoist with a self-reveeing wire rope, specially designed for MATERIAL hoisting and pulling. Due to the originality and reliability of its rope driving system, this portable hoist can easily replace drum winches in a majority of applications. Rated capacity up to 2000 lbs.

**Low Maintenance Saves Money**

The simplicity and the reliability of its design make the GRIPWINCH a low maintenance cost machine. Gentle treatment of the wire rope give it a long life. The GRIPWINCH has an efficient gear drive that reduces the motor load and reduces current draw.

Thanks to its outstanding features, the GRIPWINCH can be used as a winch as well as material hoist. It can operate conveyor belts or large hangar doors, move stage settings and arrangements, position railroad cars and rolling loads, pull underground power lines, etc.

It can also be used for numerous hoisting and pulling applications in plants and workshops, as well as for various maintenance or repair services.

Its universality cannot be disputed!

applications, the GRIPWINCH is fixed permanently and the traction wire rope lead over reversing pulleys and attached at both end to the load (Fig. 6).

The GRIPWINCH can also be fixed to the load to be moved (f. ex. conveyor belts).

It moves then with the load along the rope that has been fixed at both ends of the distance to be covered (Fig. 7).

NOTE: In case of need, for lifting as well as pulling, the rated capacity of the GRIPWINCH can always be increased by reeving the traction rope.

**Characteristics**

**Unlimited pulling and lifting distance**

Provided the wire rope is long enough (Fig. 1). Not stored in the machine, the wire rope is driven by a patented wire rope drive system (Fig. 2).

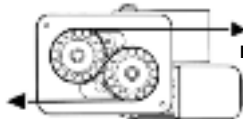


Fig. 2

**Symmetrical Configuration**

Allows pulling in both directions - at full capacity. One GRIPWINCH can replace two counteracting winches.

**Lightweight and Compact**

The crane in the suit case! Two men can carry the GRIPWINCH to any place, where it is needed. Try this with a 1-ton drum winch! And the installation for driving applications is no problem, thanks to the compact design.



**Applications**

**Lifting**

Of course, the GRIPWINCH can be fixed above the load, the most usual method for great heights (Fig. 1 & 3). But why not anchor it within reach, on the ground, anywhere - for small heights, in particular - and use a reversing pulley (Fig. 4)! This is the most common method, generally recommended for this type of job and the operator's safety.

**Pulling**

The most common method for pulling applications is to fix the GRIPWINCH and to pull the load toward it (Fig. 5). When pulling, do not confuse the weight of the load with the effort required to move it which can greatly vary depending on the contact surface, the amount of friction, the degree of the slope, etc. It is a well-known fact that the effort required to move anything on wheels is much bellow the weight of the item to be moved.

**Moving To-and-Fro**

Since the GRIPWINCH can pull in both directions, it can move a load to-and-fro (f. ex. position rolling loads, open and close hangar doors, etc.). For these

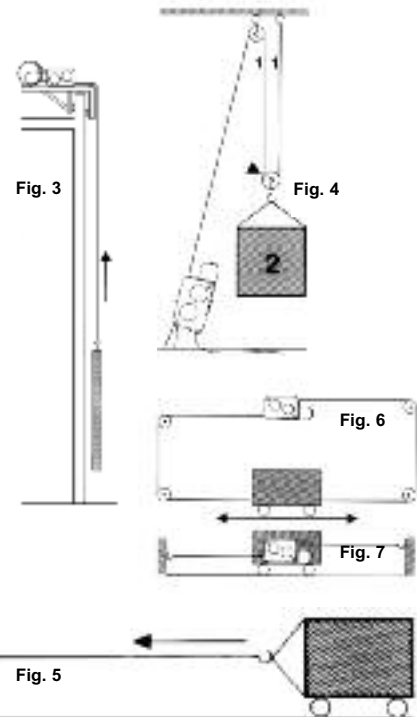


Fig. 3

Fig. 4

Fig. 6

Fig. 7

Fig. 5

- Gripwinch Information continues -

# Air Winches

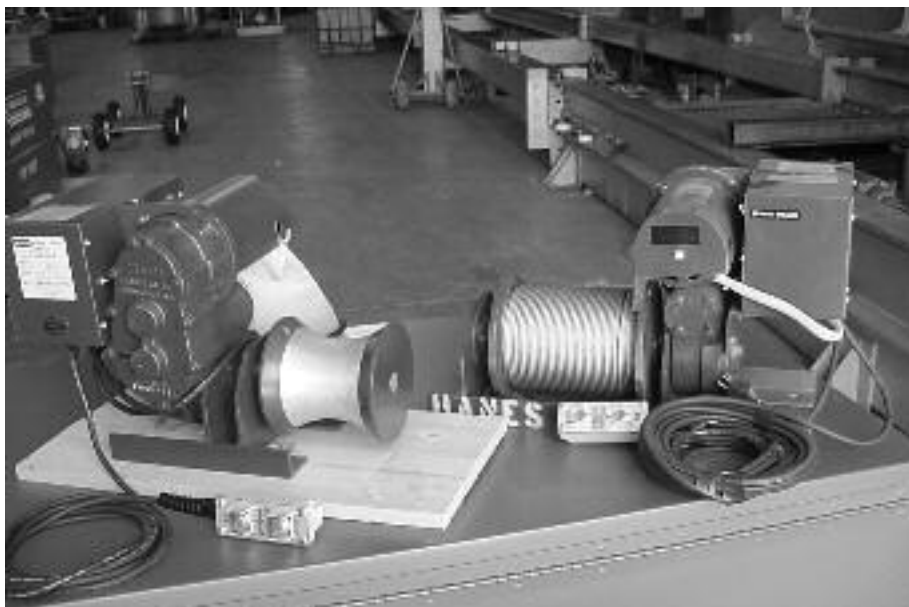
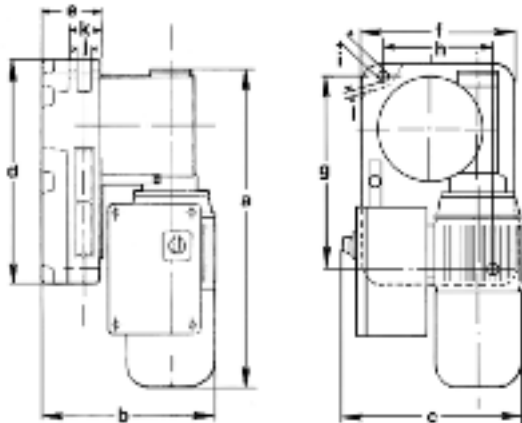
Gripwinch Information (continued)

Models	Dimensions					
	g	h	i	j	k	l
T-400/500 Series	13.4	7.3	0.6	1.0	2.2	0.6
T-1000 Series	17.7	10.0	0.6	1.0	2.2	0.5

## Technical Specifications Standard Models

Model		G411M	G510M	G412M	G 1000M	G 1002M	GA 410M	GA 1000M	GH <sup>1</sup> 510M	GHB <sup>2</sup> 510M	GH <sup>1</sup> 1000M	GHB <sup>2</sup> 1000M
Admissible load <sup>3</sup>	lbs	1,000	1,000	1,000	2,000	2,000	1,000	2,000	1,000	1,000	2,000	2,000
Lifting speed	ft/min	35	35	70	35	70	35	35	up to 60			
Weight	lbs	140	114	117	161	167	100	187	88	97	134	165
Dimensions overall	a	24.3	20.9	20.9	24.3	24.3	17	20	16.71	20.3	26	26.6
	b	13.6	13.2	13.2	12.2	12.2	12	12.4	12	10	11.4	12.6
c	12.8	9.8	9.8	10.7	10.7	10.2	12.6	19.9	15.1	3.7	19.9	3.7
Wire Rope Mechanism	d	15.1	15.1	15.1	19.9	19.9	15.1	19.9	15.1	3.7	19.9	3.7
e	3.7	3.7	3.7	3.7	3.7	3.7	3.7	3.7	3.7	3.7	3.7	3.7
f	10.2	10.2	10.2	12.6	12.6	12.6	10.2	12.6	10.2	10.2	12.6	12.6
<b>Motor specifications:</b>		<b>electrical motor</b>					<b>air motor</b>		<b>hydraulic motor</b>			
3-phase 220 or 440V 60 cycles	kw	-	0.9	1.8	2.2	3	-	-	-	-	-	-
single ph. 100 or 200V 60 cycles	kw	1.1	-	-	-	-	-	-	-	-	-	-
compressed air pressure	psi	-	-	-	-	-	85	85	-	-	-	-
min. air consumption	ft <sup>3</sup> /min	-	-	-	-	-	53	78	-	-	-	-
max. work pressure	psi	-	-	-	-	-	-	-	2,200	-	2,200	-
motor cubic cap.	cu/in.	-	-	-	-	-	-	-	0.24	-	0.72	-
<b>Wire rope specifications:</b>	type	A6	A6	A6	C8	C8	A6	C8	A6	A6	C8	C8
diameter	in.	1/4	1/4	1/4	5/16	5/16	1/4	5/16	1/4	1/4	5/16	5/16
min. breaking strength	lbs	6,600	6,600	6,600	10,600	10,600	6,600	110,600	6,600	6,600	10,600	10,600
construction		4 x 26 or 6 x 19 IWCR galv. IPS										

1 Model without brake, only for horizontal traction    2 Model with brake; for hoisting and pulling on a slope  
 3 If the rated capacity of the hoist is not sufficient in direct traction, it can be easily increased by reeving the traction wire rope.



**WE  
 SPECIALIZE  
 IN LIFTING  
 AND RIGGING  
 SOLUTIONS!!!**

