

Date June 10, 2014

Ref. Nailer Recall

Dear Valued Customer,

This letter is to inform you of a safety recall on specific Hitachi Nailers. Information about the recall can be found on the enclosed notice and also on our web site

www.hitachi-powertools.com.

For recalled product that has not been sold or for recall nailers that may be brought to you by the end-user please call the Hitachi recall line toll free at 1-844-666-9469 or send an email to nailercustomers@hitachi-powertools.com.

The enclosed nailer recall poster should be posted in your business for end-users to see until October 12, 2014.

Thank you for choosing a Hitachi brand product.

IMPORTANT RECALL NOTICE

Dear Hitachi Koki Customer:

Our records show that you may have Hitachi pneumatic nailers in your inventory that are the subject of a safety recall. A initial letter notifying you to stop sale of this product was sent to your business on or about April 29, 2014. The pneumatic nailer can jam and override the safety switch that permits only one nail to fire at a time, posing an injury risk. The affected model numbers are NR83A2(Y) and NR83A3 which are located on the label attached to the side of the nailers and on the outside of the box containing the product. The affected nailer has a serial number starting with the three letters listed below, which are engraved at the end of its handle. Nailers that contain a letter "R" decal next to the model number and an engraved "R" near the serial number are not included in this product recall.

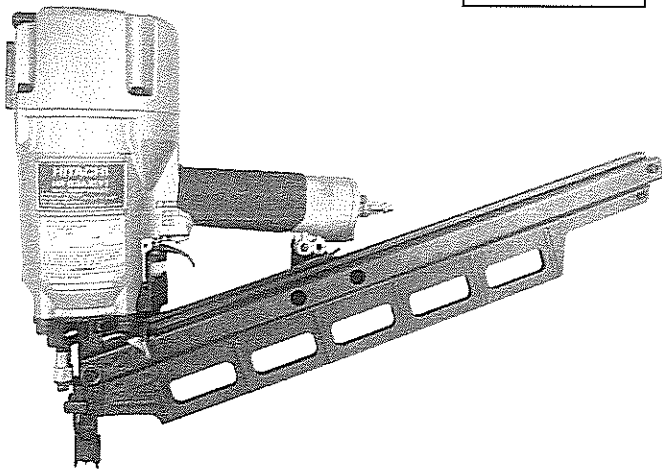
If your pneumatic nailer inventory still has one of the affected model and serial numbers, please stop sales immediately and contact Hitachi Koki at (844) 666-9469 between 8 a.m. and 8 p.m. ET Monday through Friday. Enclosed you will find a retail poster that should be displayed in a prominent location for a period of no less than 120 days. Consumer questions should be directed to the information on the poster.

First Three Letters of Serial Number of Recalled Products

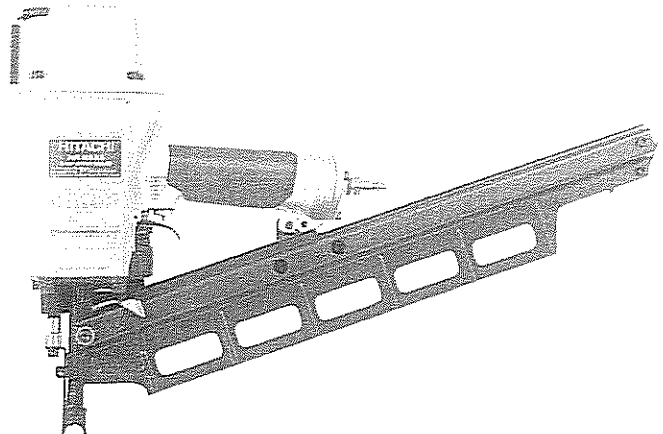
	Manufactured between May 2012 and May 2013	Manufactured between June 2013 and March 2014
NR83A2(Y) (with depth adjustment)	Q52, Q62, Q72, Q82, Q92, QO2, QN2, QD2, Q13, Q23, Q33, Q43, Q53	
NR83A3 (with depth adjustment)		Q63, Q73, Q83, Q93, QO3, QN3, QD3 Q14, Q24, Q34

* Note: Similar nailer models sold during the same period such as NR83A2(S1) (without depth adjustment) and NR83A3(S) (without depth adjustment) are not subject to this recall.

NR83A2(Y)



NR83A3



We apologize for this inconvenience, but your safety is our priority. Hitachi Koki is conducting this recall in cooperation with U.S. Consumer Product Safety Commission.