

Richard R. Haffey
Sr. Product Manager

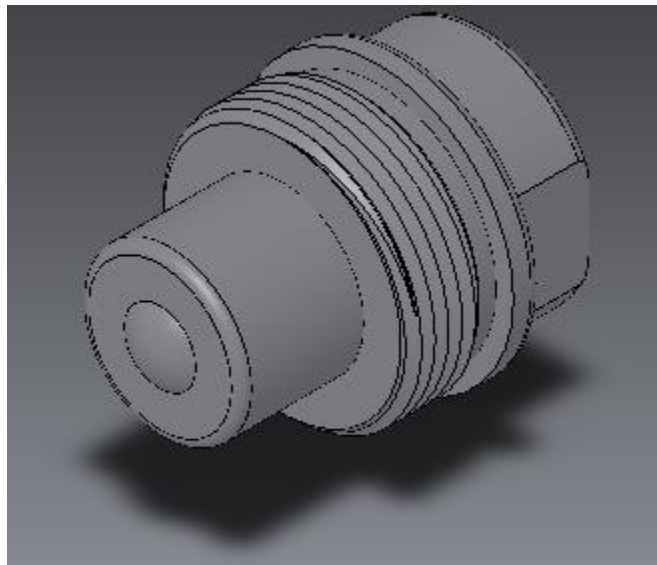
Safety Bulletin

Document No: 2013-02-002

Issued: April 2, 2013

SPX Part Number:

25599 – Coupler – SAFETY ISSUE



Power Team Brand
SPX Hydraulic Technologies
5885 11th Street
Rockford, IL 61109-3699
United States of America

TEL | 815 | 874 | 5556
FAX | 815 | 873 | 3391

powerteam.com

IMPORTANT INFORMATION

READ THIS NOTICE COMPLETELY TO DETERMINE IF YOU MUST STOP USING COUPLER PART NUMBER 25599, OR ASSEMBLIES, KITS AND SETS CONTAINING COUPLER PART NUMBER 25599, SUPPLIED BY SPX HYDRAULIC TECHNOLOGIES BETWEEN DECEMBER 2012 AND FEBRUARY 2013.



SPX Hydraulic Technologies' supplier has notified us of a problem with the manufacture of the threads on coupler part number 25599 ("25599 Couplers"). This coupler is also incorporated into a number of assemblies, kits and sets. For a complete listing of all such items, see **Exhibit A** at the end of this bulletin.

ACTIONS TO BE TAKEN

FOR ITEMS CONTAINING 25599 COUPLERS IN YOUR INVENTORY OR STOCK: ITEMS CONTAINING 25599 COUPLERS ARE NOT TO BE USED FOR ANY REASON AFTER RECEIVING THIS SAFETY BULLETIN. ITEMS CONTAINING THE 25599 COUPLERS MUST BE RETURNED AND WILL BE REPLACED UNDER WARRANTY.

FOR ITEMS ALREADY PLACED INTO SERVICE: IF THIS ISSUE IS PRESENT, IT WILL MANIFEST ITSELF IMMEDIATELY AS VISIBLE LEAKAGE. THE 25599 COUPLER MUST IMMEDIATELY BE REMOVED FROM SERVICE. THESE COUPLERS MUST BE RETURNED AND WILL BE REPLACED UNDER WARRANTY.

FOR UNITS ALREADY PLACED INTO SERVICE: FOR ITEMS CONTAINING 25599 COUPLERS ALREADY IN USE AND THERE IS NO INDICATION OF LEAKAGE, THE 25599 COUPLERS ARE OKAY FOR CONTINUED USE. THE COUPLER THREADS WILL NOT DEGRADE OVER TIME. HOWEVER, IF YOU WOULD STILL LIKE THE 25599 COUPLERS REPLACED, PLEASE CONTACT POWER TEAM CUSTOMER SERVICE AND THE COUPLERS WILL BE REPLACED UNDER WARRANTY.

Safety Issue Description

Our supplier has informed us that the threads of the affected couplers are not cut uniformly and when assembled will allow oil to leak past the threads. The incorrect threads are not manufacturing date related – they are manufacturing process related and may be seen randomly in parts supplied by SPX Hydraulic Technologies from December 2012 through the February 2013.



The failure mode is oil leaking past the threads at pressures as low as 1000 PSI. **There is a risk that pressurized hydraulic oil may be injected into the skin, causing serious soft tissue injury.**

Although we have had no reported field failures, we are taking this action to prevent possible field failures.

Return all affected Power Team Couplers, Part 25599, to SPX Hydraulic Technologies for replacement under warranty.

The products affected by this notice are included in the following EXHIBIT A.

Note: Our records indicate you have received one or more of the below listed products during December 2012 through February 2013. **Please contact Power Team Customer Service, at 1-800 541-1418, for information on obtaining replacement parts under warranty.**

EXHIBIT A
Products Affected

Part Number	Description
25599	COUPLER
4042	PUMP & CYLINDER SER
4171	PUMP HOSE & CYLINDER SET
4175	PUMP HOSE & CYLINDER SET
4180	PUMP HOSE & CYLINDER SET
9720	COUNTER BALANCE VALVE
9754	HOSE, 6' W/COUPLER
9764	HOSE, 6' W/COUPLER
9795	QUICK COUPLER, COMPLETE KIT
9798	HALF COUPLER KIT

4000016	HOSE, 20' RUBBER W/COUPLER
4000017	HOSE, 10' RUBBER W/COUPLER
PH1002	100 TON HYDR PULLER
PH1002-220	100 TON HYDR PULLER
PH103C	10 TON PULLER SET
PH172	2 JAW PULLER, 17.5 TON
PH173	3 JAW PULLER, 17.5 TON
PH303	3 JAW PULLER, 30 TON
PH503	3 JAW PULLER, 50 TON
PH53C	2/3 JAW PULLER SET, 5 TON
PPH17	PUSH-PULLER SET, 17.5 TON
PPH30	PUSH-PULLER SET, 30 TON
PPH50	PUSH-PULLER SET, 50 TON
RA556-STEL	55 TON CYLINDER
RAPS1010-CAR	PUMP & CYLINDER SET
RAPS10S-CAR	PUMP & CYLINDER SET
RPS1006	CYL & PUMP SET, 100 TON
RPS1010	CYL & PUMP SET, 10 TON
RPS102	CYL & PUMP SET, 10 TON
RPS106	CYL & PUMP SET, 10 TON
RPS154	CYL & PUMP SET, 15 TON
RPS156	CYL & PUMP SET, 15 TON
RPS203H	CYL & PUMP SET, 20 TON
RPS256	CYL & PUMP SET, 25 TON
RPS302	CYL & PUMP SET, 30 TON
RPS55	CYL & PUMP SET, 5 TON
RPS552	CYL & PUMP SET, 50 TON
RPS556	CYL & PUMP SET, 55 TON